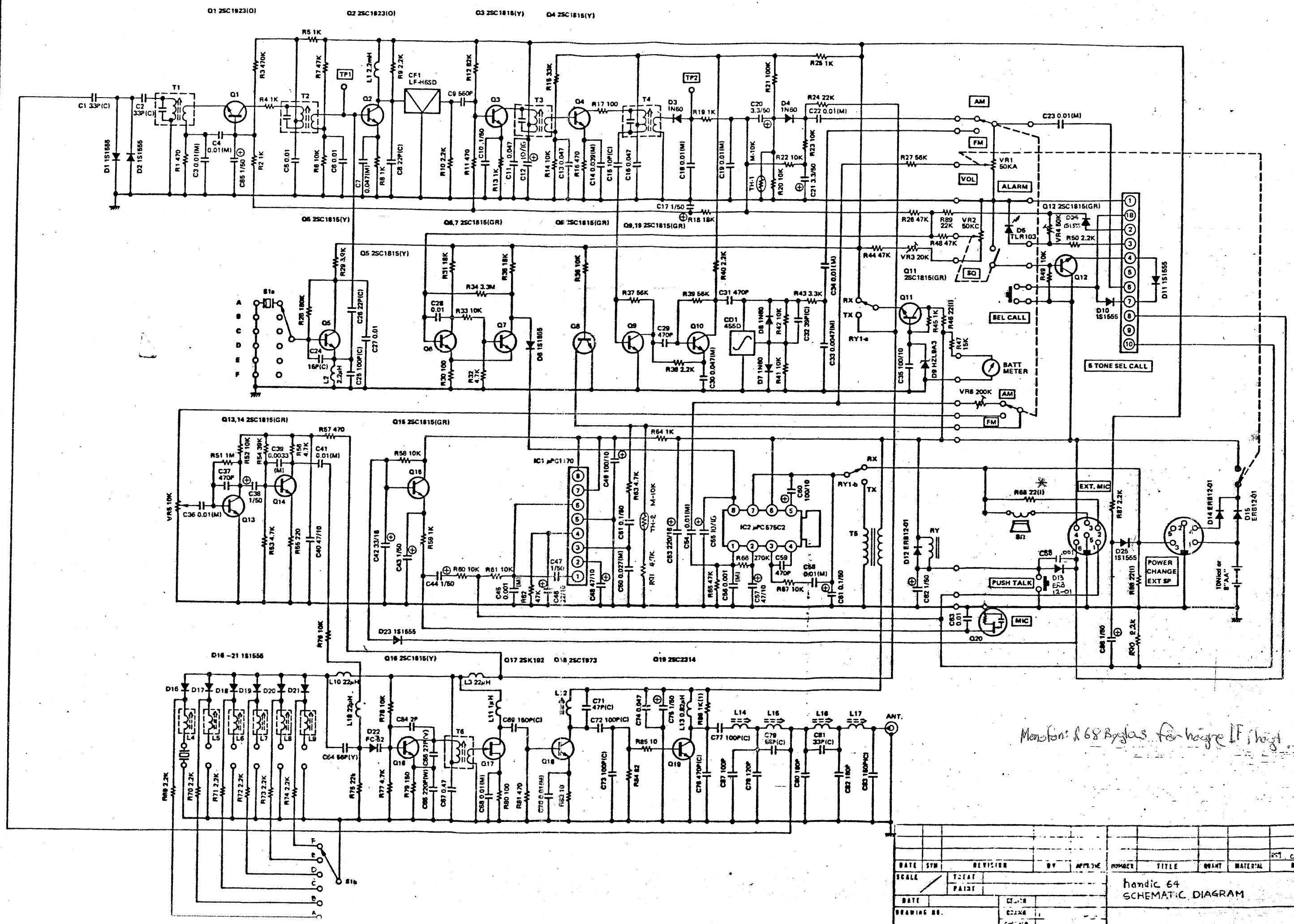


Handic 64



Menofon: 68 Byglas for higher LF, high

DATE	SYM	REVISION	BY	APPROVE	NUMBER	TITLE	QUANT	MATERIAL	REMARK
SCALE	T-CAT								
DATE	PAINT								
DRAWING NO.	CELL								
	CELL								
	CHECK								

handic 64  
SCHEMATIC DIAGRAM

ISSUED